

***A HUMBLE GIANT***

**ELÉPHANT**

**PONSSE**







**PONSSE ELEPHANT**

# ***MORE WOOD DURING A SINGLE TRIP***

PONSSE Elephant represents the larger end of our product range in terms of power, load capacity and productivity. If you need the capacity to load a lot of wood in one run, the Elephant is the right machine for you. Long transport distances, challenging terrain, and steep slopes are no problem for the PONSSE Elephant. Like it's name, this workhorse gets the job done easily in conditions which would be too challenging for many other machines.



# PONSSE ELEPHANT

**PONSSE Elephant's structure is designed to withstand the load of 18 tonnes, even in the toughest conditions. Forwarding routes are rarely flat. That is why the optional Active Frame cabin suspension system is highly recommended by the operators as it reduces the operator stress in the cabin and helps them to remain productive throughout the entire shift. Large load space, smooth drive line and loader controls ensure the PONSSE Elephant's position as one of the most productive forwarders on the market.**

## ENGINE AND HYDRAULICS

As the Elephant is a large machine, it must have a lot of power, and it certainly does. This machine's engine has plenty of power and torque to run the high capacity hydraulic system. Extremely high tractive force allows carrying the heavy loads even in the hardest conditions.

## FRAME STRUCTURES AND FRAME OSCILLATION LOCK

The design of the Elephant frame focuses particularly on durability and ease of maintenance. The reliable frame oscillation lock, equipped with hydraulic cylinders, is solid and acts as a shock absorber when driving. In addition to reliability, the functional positioning and serviceability of components are typical characteristics of the structure.

## CABIN AND CONTROL SYSTEM

The most spacious and comfortable cabin and the most ergonomic controls guarantee the best working comfort. PONSSE Opti information system is an advanced and easy-to-use interface for machine and work management.

**K121**  
ACTIVE CRANE

## POWER AND PRECISION

The super-strong hydraulics and the K100+ and K121 loaders are designed for this heavy-duty machine. The strong crane with its precise feel makes working fast and productive. A machine of this size handles large loads, and the loader needs to be able to handle heavy stress. The K100+ and K121 loaders have been designed and built to last.

## ACTIVE CRANE

PONSSE Active Crane offers a new way of controlling the loader and boosting efficiency. It is a loader control system which the operator uses to control the grapple movement instead of individual functions, allowing the operator to concentrate efficiently on loader work. Active Crane is easily controlled using two levers, one of which controls the grapple height from the ground and the other controls the direction of the movement. What is essential is that the operator does not need to control all the functions simultaneously. Once the appropriate grapple location has been given to the machine, it will perform the lift and use the boom and extend automatically. The operator can easily switch between Active Crane and conventional loader control with the push of a button. Active Crane is based on Ponsse's unique Sensor Module technology, which is used in both the PONSSE Scorpion levelling system and the PONSSE Active Frame cabin suspension system. This provides Active Crane with the best reliability and easy maintenance.





## CABIN

# WORKPLACE WITH A VIEW

The Elephant has no obstacles to productivity in sight.

The PONSSE Elephant cabin is your vantage point to the latest in forest machine technology. It is a work environment for professionals who value comfort, safety and ergonomics.

The control devices are the best you will find in forest machines in terms of their ergonomics. The large cabin, expansive windows and thin window pillars ensure excellent visibility in all directions.

Optionally the cabin can also be equipped with the best forest machine seat in the world, PONSSE Seat.



## PONSSE SEAT\*

### UNBEATABLE COMFORT

THE ONLY SEAT ON THE MARKET SPECIALLY DESIGNED FOR FOREST MACHINE DRIVERS.

#### COMFORT ABOVE ALL ELSE.

The breathable fabric and ergonomic seat supports, guarantee improved working comfort.

#### DURABLE AND EASILY MAINTAINABLE FABRIC.

Seat fabric is especially durable and the dirt repellent surface makes cleaning effortless.



#### DURABLE AND STABLE BASE.

A strong base provides the seat with superior reliability and stability. Thanks to the suspension specifically designed for forest machines, the PONSSE Seat decreases effectively swinging and impacts towards the operator.

#### EASY ACCESS TO SEAT CONTROLS AND BASE.

All adjustment controls are conveniently located at the front of the seat cushion. The removable cushion gives easy access to the seat base for maintenance.

\* PONSSE Seat is available as option to all PONSSE machines.





**ACTIVE  
CARE**

#### **LESS SERVICE, MORE OPERATION**

The technology and hydraulics offer longer service intervals, increasing effective operating hours and reducing operating costs. Easy access to important components speeds up maintenance. In all PONSSE models special attention has been put into the positioning of components and service points, as well as the ease of maintenance, as requested by our customers.

#### **ENSURE MAXIMUM PRODUCTIVITY PONSSE**

Active Care service agreements offer the best possible service for forest machine entrepreneurs. You can focus on your logging, while Ponsse will make sure that the machine will maintain its performance and productivity from one logging site to the next. With the PONSSE Active Care service agreement, you can outsource the scheduled maintenance of your forest machine to Ponsse. Machines are maintained regularly by our professionals using only high-quality and original PONSSE parts, lubricants and filters to keep the machines in good operating condition to retain its value.



**MERCEDES-BENZ ENGINES**

# ***CLEANER AND MORE EFFICIENT***

**Explosive power and increased torque. Lower emission level and fuel consumption.**

The new Mercedes-Benz STAGE V emission engines are efficient and economical. The torque has been increased, and maximum torque can be reached at lower engine speeds.

The Mercedes-Benz STAGE V emission engines are modern, emission engines with significantly lower particulate matter (PM) and nitrogen oxide (NOx) emissions compared to engines of the previous emission levels (STAGE III and IV). In addition to particulate matter, the STAGE V engines also now control particulate volume with a particulate filter (DPF).

*Outside Europe a Tier 4F or Stage III level Mercedes-Benz engines are used depending on market specific emission requirements.*



**EXTREME COMFORT AT HIGH SPEEDS**

# ***TOP PRODUCTIVITY HOUR AFTER HOUR***

**Unparalleled comfort and first-rate control.**

**Active Frame helps the driver keep alert and productive.**

PONSSE Elephant Active Frame features robust frame structures. Easy maintenance has been taken into account in the positioning of the components and maintenance targets. In addition to this, the machine's extremely long maintenance intervals increase effective operating hours and reduce maintenance costs.

Even at increased speeds, excellent driver comfort and machine handling are maintained. Ponsse's proprietary Active Frame cabin suspension system ensures that lateral swings affecting the driver are eliminated in an efficient and unnoticeable manner.

The structurally simple yet effective system ensures an exceptionally comfortable ride. The driver's body is subjected to significantly less stress than ever before. The Active Frame system helps the driver keep alert and productive for hours on end, even at high speeds.



**PONSSE MANAGER**

# ***REAL-TIME MANAGEMENT***

**PONSSE Manager connects forest machines to an information network.**

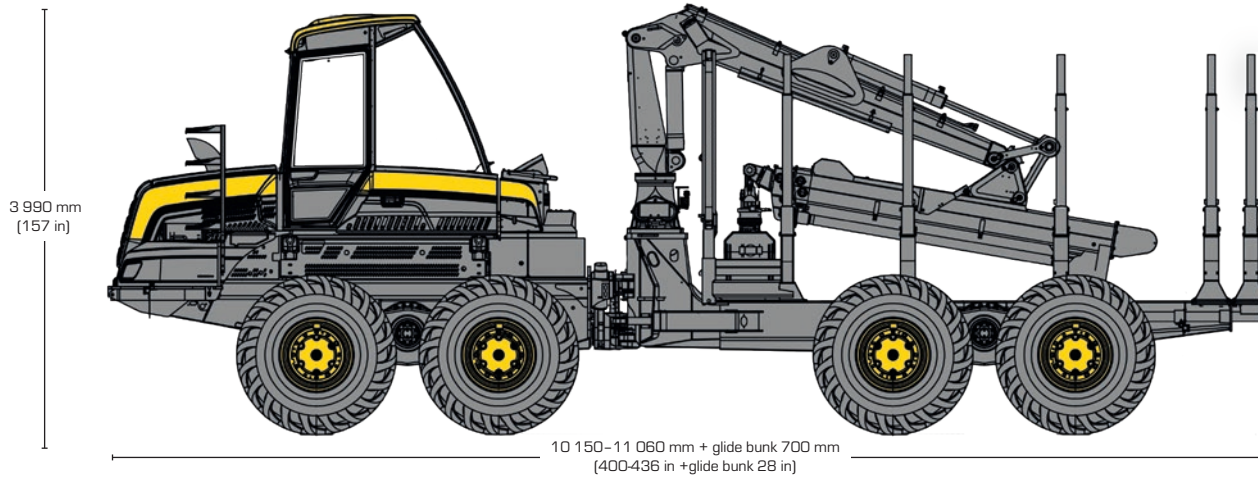
PONSSE Manager, the modern digitalization platform for forest machines, enables comprehensive services now and in the future. The easy-to-use tool offers assistance in harvesting equipment maintenance and work planning, along with providing access to functional and extensive reporting.

PONSSE Manager provides real-time information on equipment performance and work site status. The solution can be easily used via a smartphone, tablet or computer.





# PONSSE ELEPHANT



## DIMENSIONS

Minimum weight:	22 000 kg (48,500 lbs)
Typical weight:	22 800 kg (50,260 lbs)
Length:	10 150–11 060 mm + glide bunk 700 mm (400-436 in + glide bunk 28 in)
Width:	2 990–3 300 mm (118-130 in)
Transportation height:	3 990 mm (157 in)
Ground clearance:	800 mm (31,4 in)
Steering angle:	± 44 degrees

## LOADER

Model:	PONSSE K100+ / K121
Lifting moment (gross):	K100+: 160 kNm (118.001 lb ft) K121: 195 kNm (143.824 lb ft)
Reach:	K100+ S / M: 7,8 m / 9,5 m (26/31 ft) K121 S/M: 8 m / 10 m (26/33 ft)

## TIRES

Front and back:	26.5"
-----------------	-------

## GRAPPLE

Model:	Several different grapple alternatives
--------	--

## ENGINE

Model:	Mercedes-Benz OM936 LA (EU and NA) or Mercedes-Benz OM906 LA (other countries)
Power:	EU and NA: 210 kW (286 hp) Other countries: 205 kW (275 hp)
Torque:	1 200–1 600 rpm (EU and NA: 1 200 Nm, other countries: 1 100 Nm)
Tractive force:	220 kN (49,500 lbf)
Driving speed:	0–20 km/h (0–12 mph)
Fuel tank volume:	260 l (69 gal US)

## HYDRAULIC SYSTEM

Control system:	PONSSE OptiControl
Working pump:	190 cm <sup>3</sup> (11.6 cu in)
Oil tank volume:	170 l (45 gal US)

## LOAD SPACE

Capacity:	18 000 kg (39,683 lbs)
Load space cross-sectional area:	5,8–6,25 m <sup>2</sup> (62.5-67.3 sq ft)
VLA:	5,2-6,7 m <sup>2</sup> (56-72 sq ft)
Load space length:	4 540–5 450 mm + glide bunk 700 mm (179-214 in + glide bunk 28 in)

Log gate can be moved hydraulically.

Plenty of optional equipment is available in addition to the comprehensive PONSSE Elephant standard equipment. Consult your nearest Ponsse sales department or dealer for more information on the standard and optional equipment.



### Ponsse Plc.

Ponssentie 22  
74200 Vieremä  
FINLAND  
Tel: +358 20 768 800  
Fax: +358 20 768 8690  
www.ponsse.com

### Ponsse North America, Inc.

4400 International Lane  
Rhineland, WI 54501  
USA  
Tel. 715 369 4833  
Fax 715 369 4838

### Ponsse UK Ltd.

4 Annan Business Park  
Annan  
Dumfriesshire  
DG12 6TZ  
UNITED KINGDOM  
Tel. +44 1461 207 510

### Ponsse Machines Ireland Ltd

Cappakeel, Emo  
Portlaoise  
R32NN28, Laois  
Ireland  
Tel. +353 57 863 3762



**A logger's best friend**  
[www.ponsse.com](http://www.ponsse.com)