

**COBRA**

**PONSSE**

***ECONOMICAL,  
PRODUCTIVE,  
EFFICIENT***



**PONSSE COBRA**

# ***ALL-ROUND MACHINE FOR ANY FOREST***

## **A multi-talented machine for all cutting methods.**

The new PONSSE Cobra harvester is a versatile and efficient tool for varying conditions. Thanks to its adaptability, it is right at home for both thinning and clear-cutting. An eight-wheel all-round machine, PONSSE Cobra is a good addition to a group of several machines thanks to its versatility and functional properties, but it is also an excellent choice for an entrepreneur who needs one machine for all logging sites.

Thanks to its reliable basic solutions, the Cobra is a durable and economical package whose accurate and easy-to-use crane, good balance, efficient working pump and powerful six-cylinder engine make it a dependable tool for years.



# EFFICIENT WORK PROPERTIES

**PONSSE Cobra is an important new part of our BOOST/SAVE thinking. Lower consumption and higher output make for better results. With the Cobra, this means more affordable purchase and operating costs, higher and cleaner engine power as well as lower surface pressure thanks to the eight wheels and the modern structure.**

## ENGINE

PONSSE Cobra is always equipped with a strong six-cylinder engine that will not run out of power. In the European area, the machines come with a next generation Mercedes-Benz with more power and torque (up to 210 kW/1,200 Nm). The low-emission Stage V engine reduces the environmental load but provides better performance!

## FRAMES

Simple and strong frame structure. Alongside reliability, the structures account for the functional positioning and serviceability of components.

## ERGONOMICS

Ergonomics and ease of operation have a massive impact on work productivity. The cabin provides the most ergonomic controls on the market as well as the excellent visibility which PONSSE forest machines are known for. Not to be forgotten are the ample, well-designed storage spaces which are not only part of operating comfort but also a safety feature.

## SERVICEABILITY

Effortless service is achieved with better positioning of service points, service lighting and safe service platforms. In addition to this, the high-quality components enable an exceptionally long maintenance interval.

## CRANES

The PONSSE Cobra harvester is available with a C5 sliding boom or C44+ parallel crane.

## HARVESTER HEADS

The Cobra's frame structure and crane enable a reach of up to 11 meters.



H5 H6 H7 H7HD euca



## CABIN

# WORKPLACE WITH A VIEW

The Cobra has no obstacles to productivity in sight.

The PONSSE Cobra cabin is your vantage point to the latest in forest machine technology. It is a work environment for professionals who value comfort, safety and ergonomics.

The control devices are the best you will find in forest machines in terms of their ergonomics. The large cabin, expansive windows and thin window pillars ensure excellent visibility in all directions.

Optionally the cabin can also be equipped with the best forest machine seat in the world, PONSSE Seat.

## PONSSE SEAT \*

### UNBEATABLE COMFORT

THE ONLY SEAT ON THE MARKET SPECIALLY DESIGNED FOR FOREST MACHINE DRIVERS.

#### COMFORT ABOVE ALL ELSE.

The breathable fabric and ergonomic seat supports, guarantee improved working comfort.

#### DURABLE AND EASILY MAINTAINABLE FABRIC.

Seat fabric is especially durable and the dirt repellent surface makes cleaning effortless.



#### DURABLE AND STABLE BASE.

A strong base provides the seat with superior reliability and stability. Thanks to the suspension specifically designed for forest machines, the PONSSE Seat effectively decreases swinging and impacts towards the operator.

#### EASY ACCESS TO SEAT CONTROLS AND BASE.

All adjustment controls are conveniently located at the front of the seat cushion. The removable cushion gives easy access to the seat base for maintenance.

\* PONSSE Seat is available as option to all PONSSE machines.

**MERCEDES-BENZ ENGINES**

# ***CLEANER AND MORE EFFICIENT***

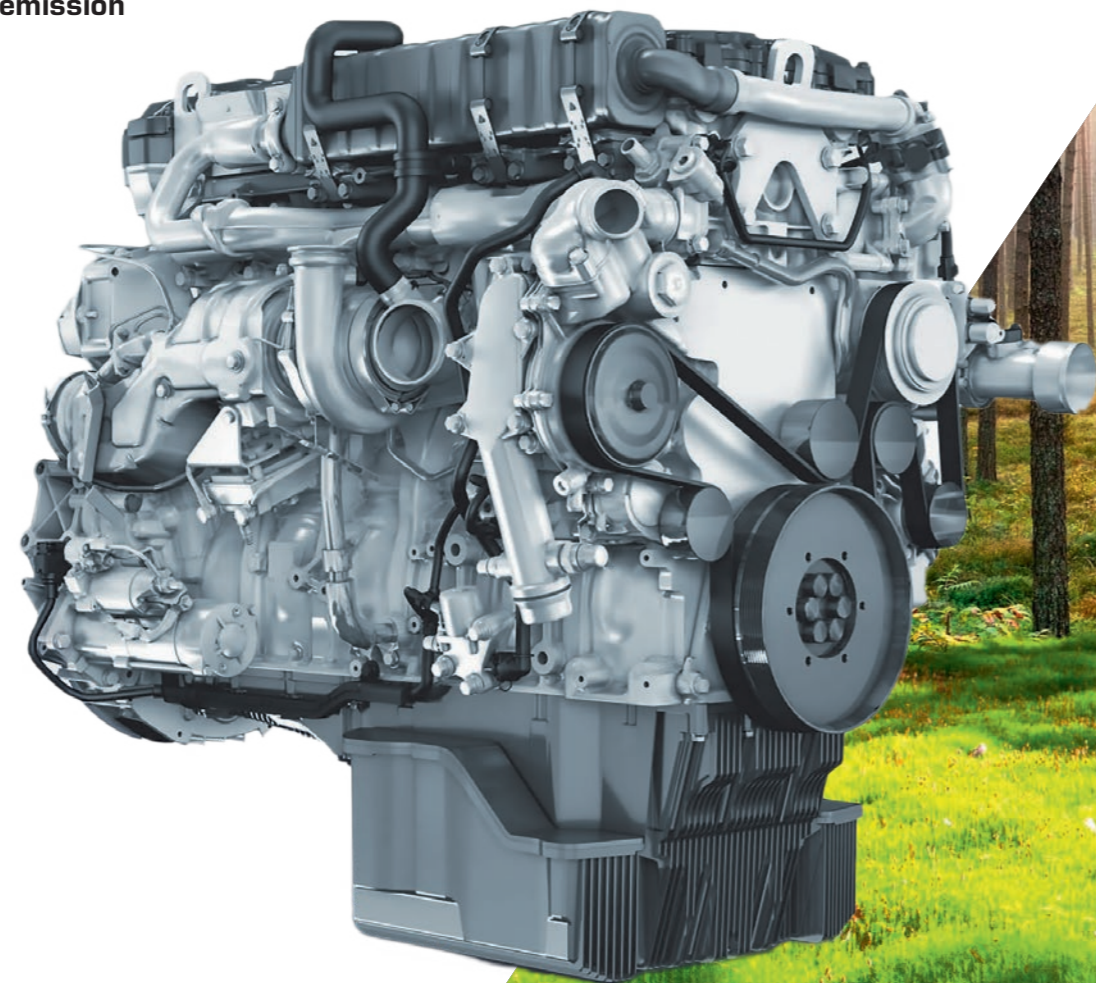
**Explosive power and increased torque. Lower emission level and fuel consumption.**

The new Mercedes-Benz STAGE V emission engines are efficient and economical. The torque has been increased, and maximum torque can be reached at lower engine speeds.

The Mercedes-Benz STAGE V emission engines are modern, low-emission engines with significantly lower particulate matter (PM) and nitrogen oxide (NOX) emissions compared to engines of the previous emission levels (STAGE III and IV).

In addition to particulate matter, the STAGE V engines also now control particulate volume with a particulate filter (DPF).

Outside Europe an EU Stage/Tier 4F or Stage IIIA level Mercedes-Benz engine is used depending on market specific emission requirements.



Our goal is to manufacture the most productive and economical forest machines on the market. We call this the PONSSE Boost/Save operating model.

At Ponsse, we have always put the customers first.

For decades now, we have been developing the world's best cut-to-length forest machines as well as related services and information systems. The users of the machines are the best specialists in their field, and we closely listen to their feedback. Together, we have managed to continue increasing the productivity and efficiency of harvesting and reduce the costs. This has been the result of long-term collaboration. However, we want to serve our customers even better.

Boost/Save means even more efficient products and better services for our customers. It means efficient and productive machines, agile product development, thorough training, comprehensive maintenance, original spare parts and the most modern information systems in the field.

Boost/Save means efficient and productive harvesting!



## PONSSE MANAGER *REAL-TIME MANAGEMENT*

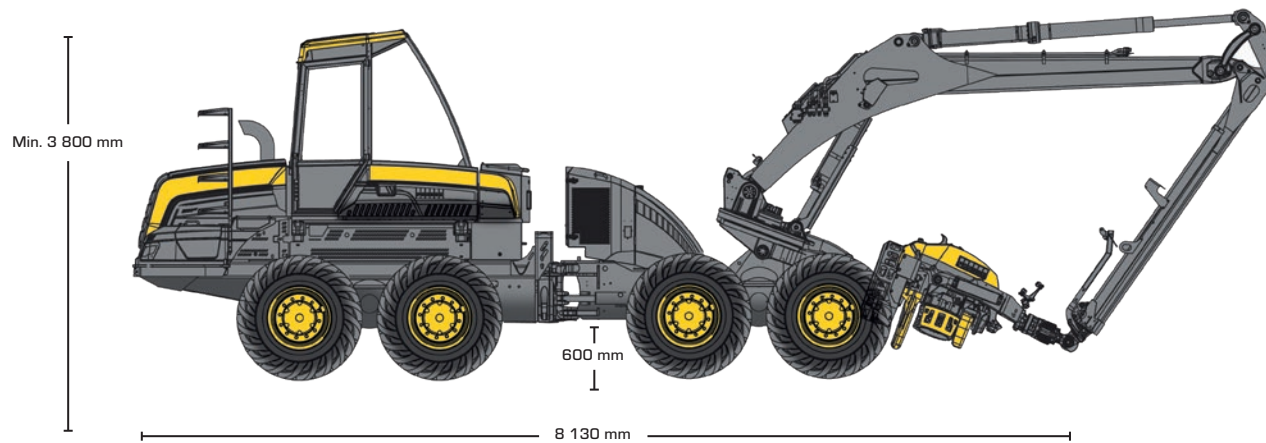
**PONSSE Manager connects forest machines to an information network.**

PONSSE Manager, the modern digitalization platform for forest machines, enables comprehensive services now and in the future. The easy-to-use tool offers assistance in harvesting equipment maintenance and work planning, along with providing access to functional and extensive reporting.

PONSSE Manager provides real-time information on equipment performance and work site status. The solution can be easily used via a smartphone, tablet or computer.



# PONSSE COBRA



## DIMENSIONS

Length:	8 130 mm (320 in)
Width:	2 630 - 3 080 mm (103.5 - 121 in)
Transport height (min):	3 800 mm (150 in)
Minimum weight:	19 800 kg (43,651 lb)
Typical weight:	20 900 kg (46,077 lb)
Ground clearance:	600 mm (23.6 in)

## ENGINE

Model:	MB OM 936 LA EU Stage V MB OM 936 LA EU Stage V/Tier 4F MB OM 906 LA Stage IIIA
Power:	EU Stage V & EU Stage V/Tier 4F: 210 kW (286 hp) Stage IIIA: 205 kW (275 hp)
Torque:	1 200 -1 600 rpm (EU Stage V & EU Stage V/Tier 4F: 1 200 Nm, Stage IIIA: 1 100 Nm)
Tractive force:	195 kN (43,838 lbf)
Fuel tank volume:	380 l (100 gal US)

## TYRES

Front and rear:	26.5"
-----------------	-------

## HYDRAULIC SYSTEM

Steering system:	PONSSE Opti Control
Working pump:	210 cm <sup>3</sup> (12.8 cu in)
Oil tank volume:	290 l (76.6 gal US)

## CRANE

Model:	C44+	C5
Swing torque:	57 kNm	57 kNm
Tilt angle:	±20°	±20°
Crane swing angle:	250°	250°
Lifting torque:	250 kNm	248 kNm
Reach:	8,6/10/11 m (28.2/32.8/36 ft)	8,6/9,5/10 m (28.2/31/32.8 ft)

## HARVESTER HEAD

Model:	PONSSE H5 PONSSE H6 PONSSE H7 PONSSE H7 HD Euca
--------	--



**Ponsse Plc**  
Ponssentie 22  
FI-74200 Vieremä  
FINLAND  
Tel. +358 20 768 800  
www.ponsse.com

**Ponsse UK Ltd.**  
4 Annan Business Park  
Annan  
Dumfriesshire  
DG12 6TZ  
UNITED KINGDOM  
Tel. +44 1461 207 510

**Ponsse Machines Ireland Ltd**  
Cappakeel, Emo  
Portlaoise  
R32NN28  
Laois  
IRELAND  
Tel. +353 57 863 3762

**Ponsse North America, Inc.**  
4400 International Lane  
Rhineland, WI 54501  
USA  
Tel. +1 715 369 4833  
Fax +1 715 369 4838



**A logger's best friend**  
[www.ponsse.com](http://www.ponsse.com)